

HST[®]
HLOGIC SECURITY TECHNOLOGY



2024

Metal Detector 11 zone

www.hlogicgroup.com

HST270SA - 11 Series

Side Panel Digital Control Box

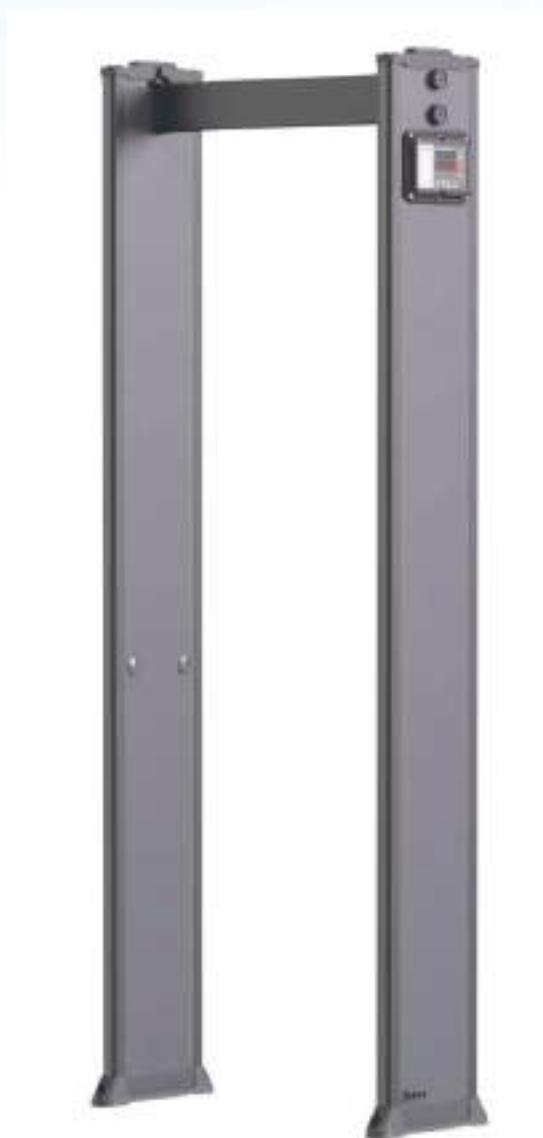


- Compact panel, lightweight design;
- Perfect for space -constrained environments;
- Quick installation, easy operation control unit;
- High security level up to vertical 11 zones ;
- Optional integration with turnstiles;

Conform to Electricity EN60950 Safety Standard

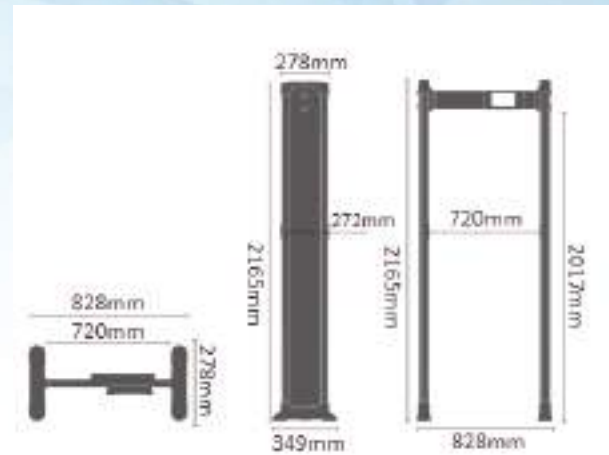
Conform to Radiation EN50081 -1 Standard

Conform to Anti -interference EN50082 -1 Standard



Product Specification

Overall Exterior Size	2165*828*349mm
Passageway Interior Size	2017*720*349mm
Operating Voltage	AC100V ~240V 50 / 60Hz
Power	12W
Operating Temperatures	-20 ~ 65
Installation Environment	Width 100cm* Length 200cm (minimum range without metal)



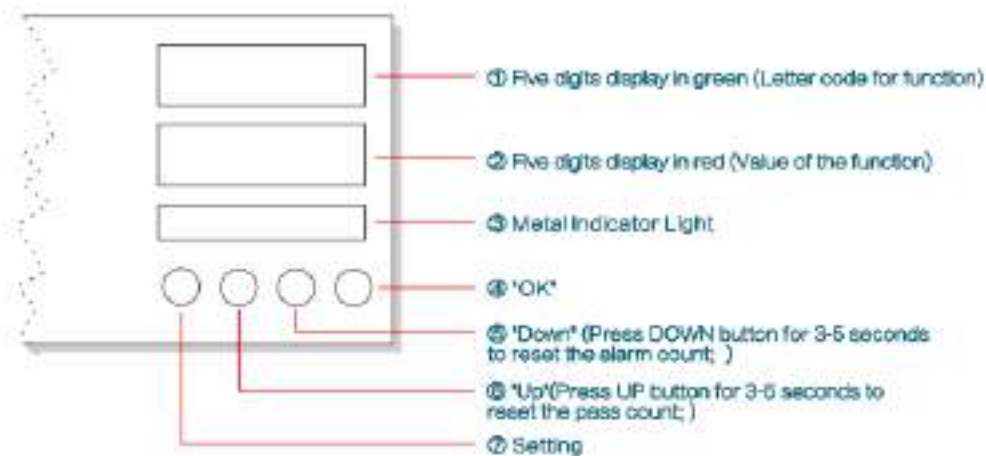
Function Configuration

Detection Zones	11 Vertical Zones
Pass Count	0-99999
Alarm Count	0-99999
Metal Detection Accuracy Range	One - dollar coin
User Interface	Dual sets of bright red and green digital tube display + integrated four -button panel operation mode
Password Protection Function	5-digit password protection
Operating Frequency	0-99
Security Level	0-99
Sensitivity Level	0-400
Alarm Volume	0-99
Alarm Tone	1-99
Alarm Time	1-99
Scene Setting	72 preset scenes
Infrared Setting	0-Both groups OFF 1-Front group ON 2-Rear group ON 3-Both groups ON
Left and right LED Bars	Interchangeable
LED Alarm Bars	Front 2 groups
Simultaneous detection and alarm in multiple zones	2 Detection zones simultaneously alarm

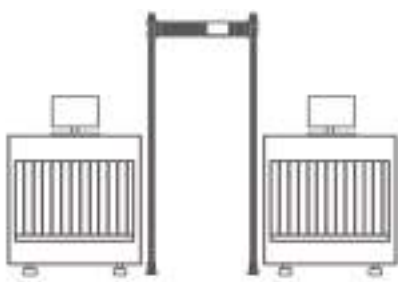
Optional Functions: The above zones can be equipped with the following functions

- Secondary Development Port/Upgrade Port
- Front and Rear Panel Alarm LED Lights
- Turnstile Connection

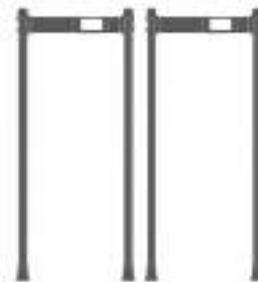
Interface Display



Anti - interference Reference Standard



Keep $\geq 80\text{cm}$ from the X -Ray machine



Keep $\geq 50\text{cm}$ between two units



Keep $\geq 10\text{cm}$ from the wall

Note: The above distances are for reference only, and the actual distances shall be subject to the performance accuracy of on -site debugging; the higher the sensitivity, the greater the distance interval, and the lower the sensitivity, the smaller the distance interval.

Test kits

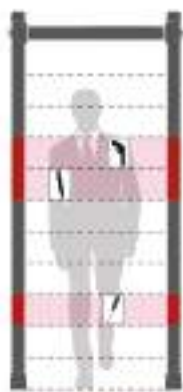
The diagram shows a person walking through a metal detector. A callout box provides details about the test kit items and their detector responses:

- 1 铝硬币 A dime** (Aluminum coin)
- 2 铜硬币 10-cent coin** (Copper coin)
- 3 玩硬币 One-dollar coin** (Play coin)
- 4 回形针 Paper clip** (Paper clip)
- 大头针 Pin** (Pin)

The callout box also displays various test items and their corresponding detector responses:

- B1**: 小铁片 VS 美工刀刀片 (剃须/无磁) / Small iron piece VS utility knife blade (Magwriston-Magnet)
- B2**: 大铁片 VS 硬币 / Big iron VS coin
- Q4**: 圆柱 VS 手枪弹夹 / Cylindrical VS Pistol Magazine
- Q4**: 圆柱 VS 手枪弹夹 (无磁) / Cylindrical VS Pistol Magazine (Non-Magnetic)
- D1**: 红色L型圆柱 VS 手雷 / Red L-shaped cylinder VS grenade
- Q1**: 黄色L型圆柱 VS 小手枪 / Yellow L-shaped cylinder VS small pistol
- Q2**: 绿色L型圆柱 VS 左轮手枪 / Green L-shaped cylinder VS revolver
- Q3**: 蓝色L型圆柱 VS 大手枪 / Blue L-shaped cylinder VS big pistol

Detection Zone



11 zones

Package

Packaging :	Carton box
Package Size :	L2245xW635xH200mm
Volume :	0.29m ³
Net weight :	24kg
Gross weight :	30kg



The logo for HST, featuring the letters 'HST' in a bold, blue, sans-serif font. The 'H' and 'S' are connected, and the 'T' is slightly separated. A registered trademark symbol (®) is located to the upper right of the 'T'.

HST[®]

MORE THAN SECURITY



www.hlogicgroup.com 🔍